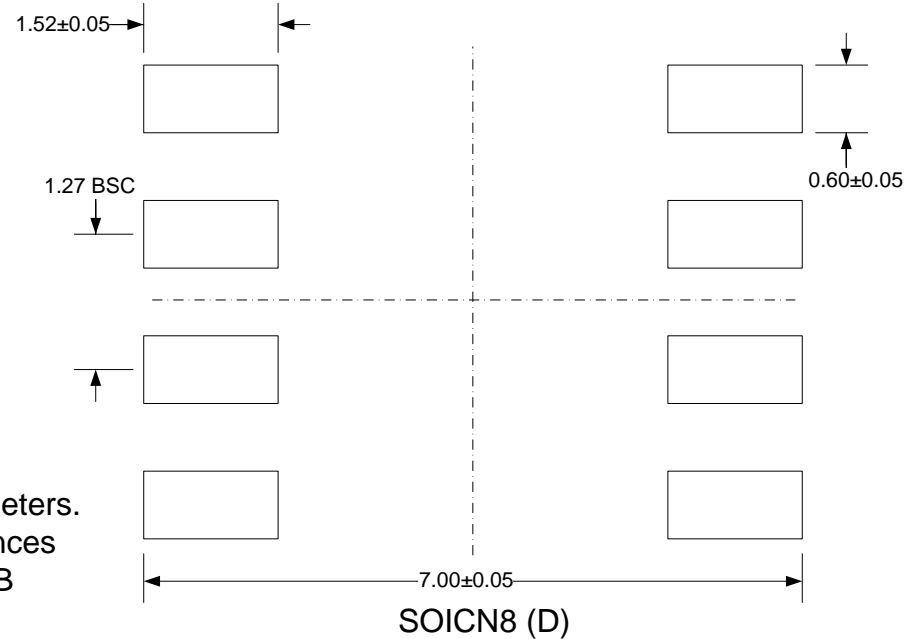
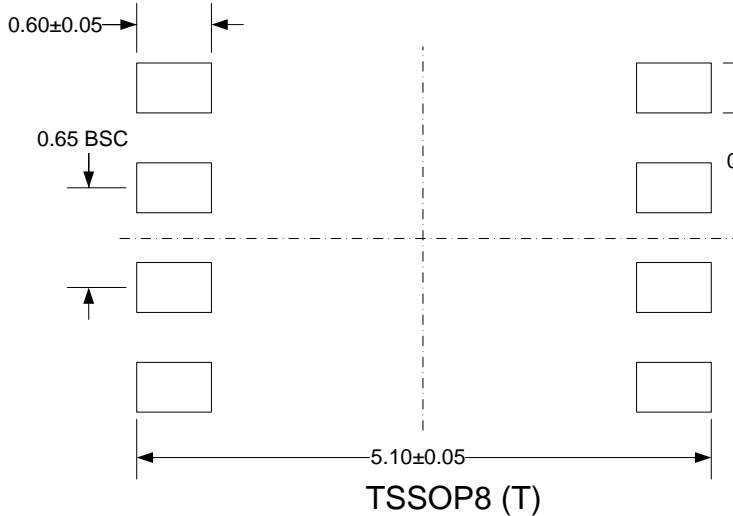
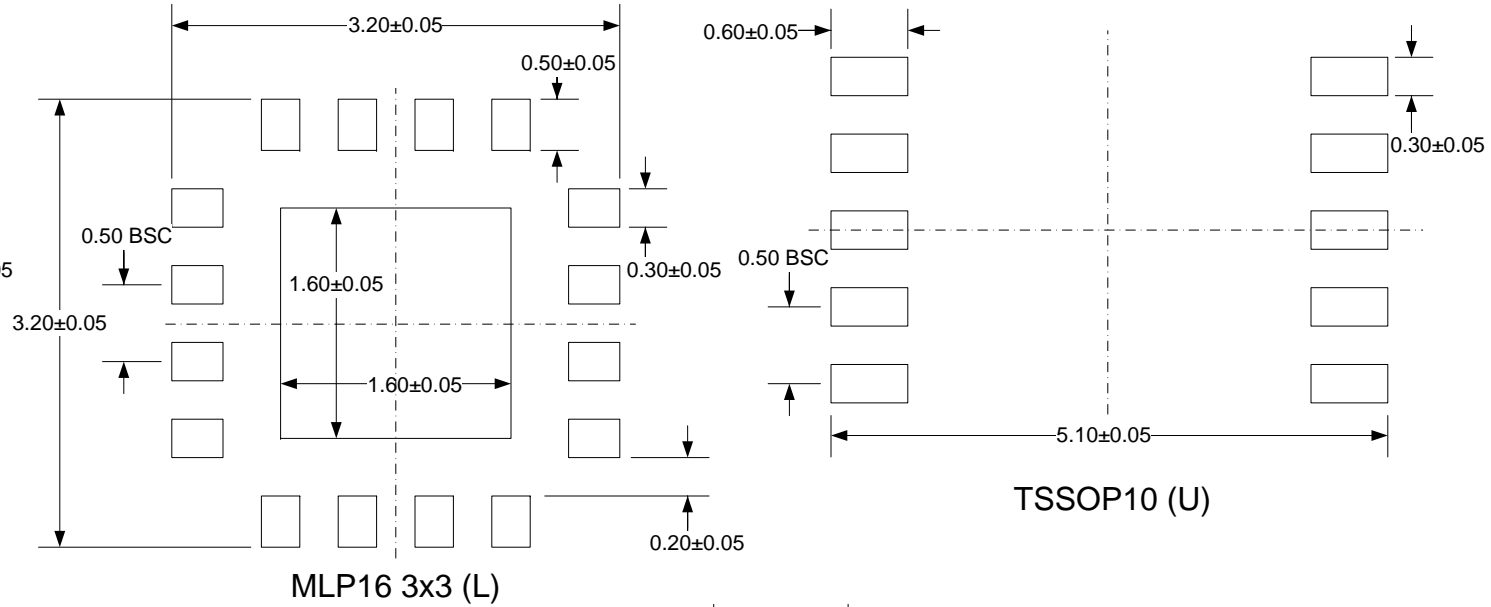
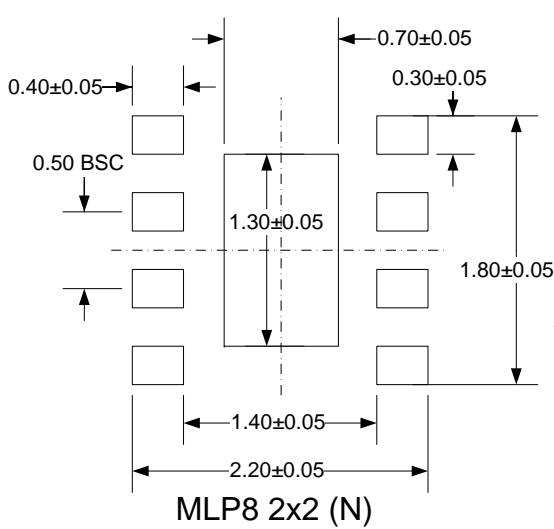




ARIZONA MICROTEK INC.

Suggested PCB Land Patterns

Arizona Microtek, Inc.
1630 S. Stapley Dr., Suite 127
Mesa, AZ 85204 USA
+1 (480) 962-5881
www.azmicrotek.com



- Notes:
1. Drawing not to scale.
 2. All dimensions in millimeters.
 3. Dimensions and tolerances may vary between PCB manufacturers.