

AZT71

Programmable Capacitive Tuning IC

www.azmicrotek.com

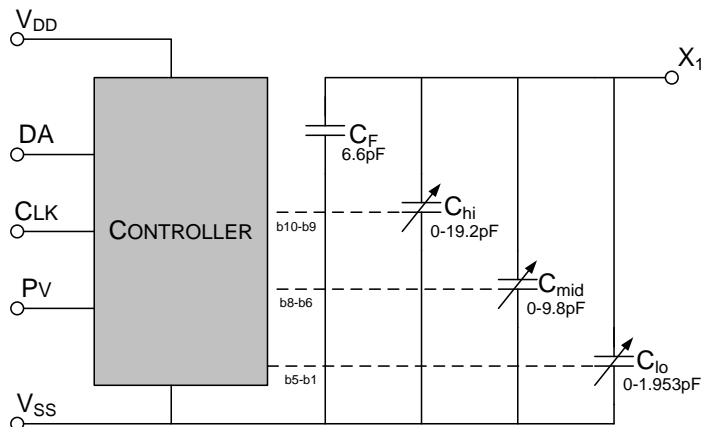
DESCRIPTION

The [AZT71](#) is a digitally programmed capacitor designed to tune a filter or a crystal/SAW based oscillator to a desired center frequency. Through a bank of registers, the capacitance value is set by a serial data stream and if desired, can be permanently stored in the nonvolatile EEPROM memory. The AZT71 is designed to be a labor and cost saving device within the oscillator production process and provide the desired functionality for tunable filter banks.

While incorporating very small step sizes (0.063pF), multiple AZT71 devices can also be used in parallel to obtain higher overall capacitance values.

The AZT71 is available in an SON8 package (1.5mm x 1.0mm) for very small form factor designs. Also available in MLP6 and TSOT6.

BLOCK DIAGRAM



FEATURES

- Capacitive tuning range of 6.6pF to 37.553pF (See [AZT70](#) for different values)
- 0.063pF minimum step size
- Continually programmable with register or EEPROM data storage
- May be placed in parallel for greater capacitance values
- 2.5V to 5.0V supply voltage

APPLICATIONS

- Filters requiring capacitive tuning
- Fast production tuning of crystal and SAW oscillators

PACKAGE AVAILABILITY

- SON8
- MLP6
- Green/RoHS/Pb-Free

Order Number	Package	Marking
AZT71QG ¹	SON8	Y <Date Code> ²
AZT71MG ¹	MLP6	Y1G <Date Code> ²

¹ Tape & Reel - Add 'R1' at end of order number for 7in (1k parts), 'R2' (2.5k) for 13in

² See www.azmicrotek.com for date code format

PIN DESCRIPTION AND CONFIGURATION

Table 1 - Pin Description SON8 Package (1.5mm x 1.0mm)

Pin	Name	Type	Function
1	X ₁	Output	Capacitance
2	NC	n/a	not connected
3	V _{SS}	Power	Negative Supply (GND)
4	V _{DD}	Power	Positive Supply
5	DA	Input	Programming Data Input
6	CLK	Input	Programming Clock Input
7	NC	n/a	not connected
8	PV	Input	Programming Voltage

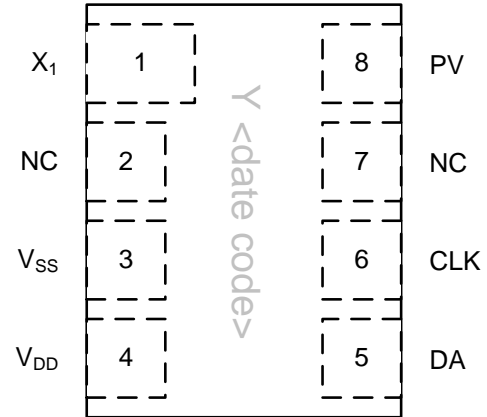


Figure 1 - Pin Configuration SON8

Table 2 - Pin Description 6MLP Package (2.0mm x 2.0mm)

Pin	Name	Type	Function
1	X ₁	Output	Capacitance
2	V _{SS}	Power	Negative Supply (GND)
3	V _{DD}	Power	Positive Supply
4	DA	Input	Programming Data Input
5	CLK	Input	Programming Clock Input
6	PV	Input	Programming Voltage

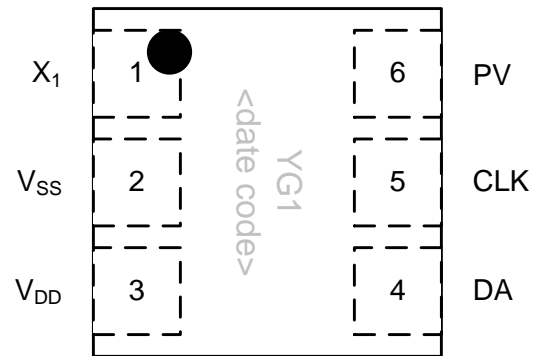


Figure 3 - Pin Configuration 6MLP

ENGINEERING NOTES

CAPACITOR STRUCTURE

The AZT71 capacitance value is composed of four parallel capacitors banks, C_F is a fixed capacitor value of 6.6pF and C_{hi} , C_{mid} & C_{lo} are variable capacitors of differing ranges and resolutions as seen in Table 3. Capacitors composing C_{hi} , C_{mid} and C_{lo} are set with a binary control word through an 11-bit shift register described in **PROGRAMMING THE AZT71**. The values of each C_{hi} , C_{mid} and C_{lo} stepping are detailed in the complete [Nominal Capacitance Binary Mapping](#) spreadsheet.

$$C_{Total} = C_F + C_{hi} + C_{mid} + C_{lo}$$

Table 3 - AZT71 Capacitor Structure

Internal Capacitor	Min Value (pF)	Max Value (pF)	Step Size (pF)
C_F	6.6	6.6	n/a
C_{hi}	0	19.2	6.4
C_{mid}	0	9.8	1.4
C_{lo}	0	1.953	0.063
Total	6.6	37.553	

FUNCTIONAL MODES

The AZT71 has two methods for setting the capacitance value on the X_1 pin.

- **READING THE CONTROL WORD DIRECTLY FROM THE SHIFT REGISTER**

In tunable filter applications, reading from the shift register will be desirable as the control word can be constantly varied. New control words can be serially inputted as required to change the capacitance value in real time. (Note: With a serial data input, the capacitance value during transitions between control words is deterministic upon their differences.) The shift register is also useful for testing the capacitance and subsequent oscillator frequency. *This mode is active when the CLK pin is left logic high. For the shift register, capacitors are selected when bits are active HIGH.*

- **READING THE CONTROL WORD FROM THE VALUE CONTAINED IN THE EEPROM**

If a certain control word needs to be stored, it can be written to the nonvolatile EEPROM memory. This is useful in oscillator applications where it prevents customer adjustment and retains factory programming. *This mode is active when the CLK pin is at logic low or not connected. For the EEPROM, capacitors are selected when bits are active LOW.*

OSCILLATOR APPLICATION

In oscillator applications, the AZT71 is designed to be used in 2 phases, Programming and Operational.

In the *Programming phase*, the AZT71 is used by the manufacturer to set the capacitance value to control the desired center frequency of the oscillator. The programming phase gives the manufacturer access to pins DA, CLK, and PV where the shift registers are used to first determine the required control word. That control word is then stored in the EEPROM memory. **Arizona Microtek can provide the programming board ([AZPB70](#)) along with software that works through all the programming steps/functions described in the next sections (Figure 4).**

In the *Operational phase*, the EEPROM memory internal to the AZT71 has already been programmed with the desired factory settings. Pins DA, CLK, and PV are to be disconnected, thereby allowing the AZT71's internal pull-downs to place the pins at ground potential. In the operational mode, only 3 pins are necessary for hookup (Figure 5).

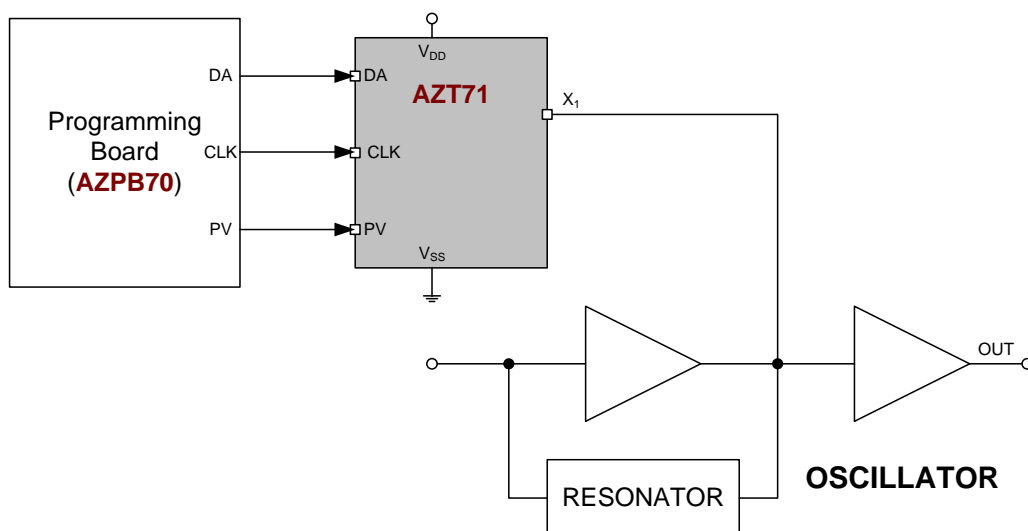


Figure 4 – AZT71 in Programming Mode

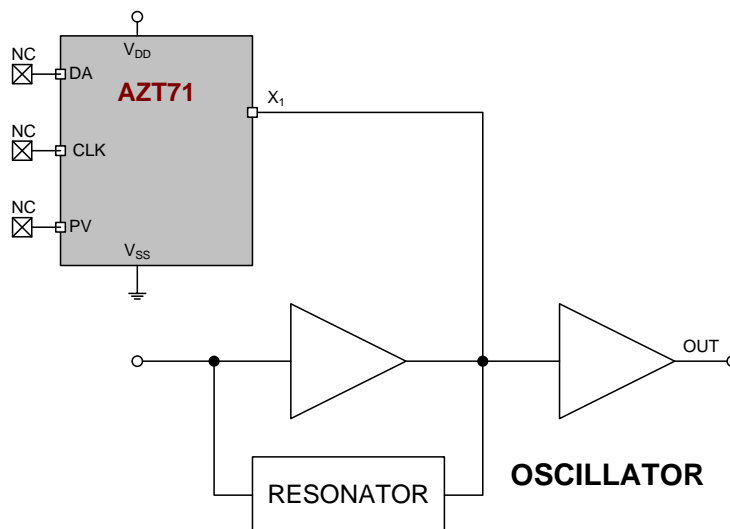


Figure 5 – AZT71 in Operational Mode

PROGRAMMING THE AZT71

CONTROL WORD

The capacitance in the AZT71 is controlled by an 11-bit shift register with the data input bit definitions shown in Table 4. The control word data is inputted serially on the rising edge of the CLK signal with bit0 first and bit10 last.

Table 4 - AZT71 Control Word Definition

11-bit Control Word										
bit10	bit9	bit8	bit7	bit6	bit5	bit4	bit3	bit2	bit1	bit0
C_{hi}		C_{mid}			C_{lo}					Not Used
MSB	LSB	MSB	---	LSB	MSB	---	---	---	LSB	

The control word mapping is a binary word for each of C_{hi} , C_{mid} and C_{lo} where higher number bits are more significant. Figure 6 shows the capacitance value mapping for the AZT71. The detailed [Nominal Capacitance Binary Mapping](#) can be located on the AZM website.

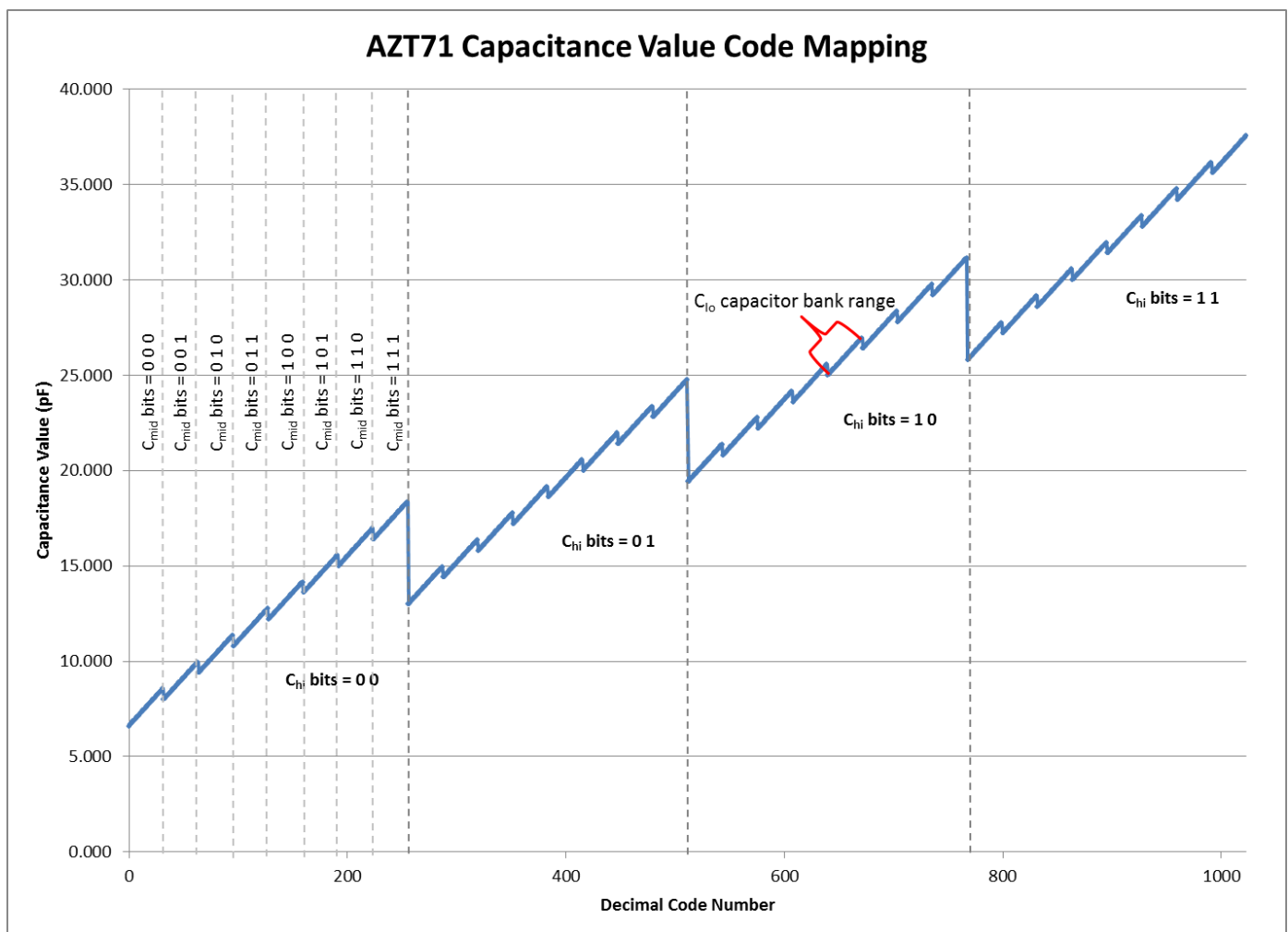


Figure 6 – AZT71 Capacitance Value Mapping

PROGRAMMING TO THE SHIFT REGISTER

Control word bits are inputted serially through the DA pin timed with the rising edge of the CLK pin. Figure 7 shows the control word 11001100100 has been serially entered into the register. Note that bit0 is the 1st bit to enter and bit10 is the last. In the AZT71, bit0 does not affect the capacitance value but still must be included in the serial bit stream. For the shift register, capacitors are selected when bits are active HIGH. For the AZT71 to read from the shift register, the CLK pin must remain HIGH.

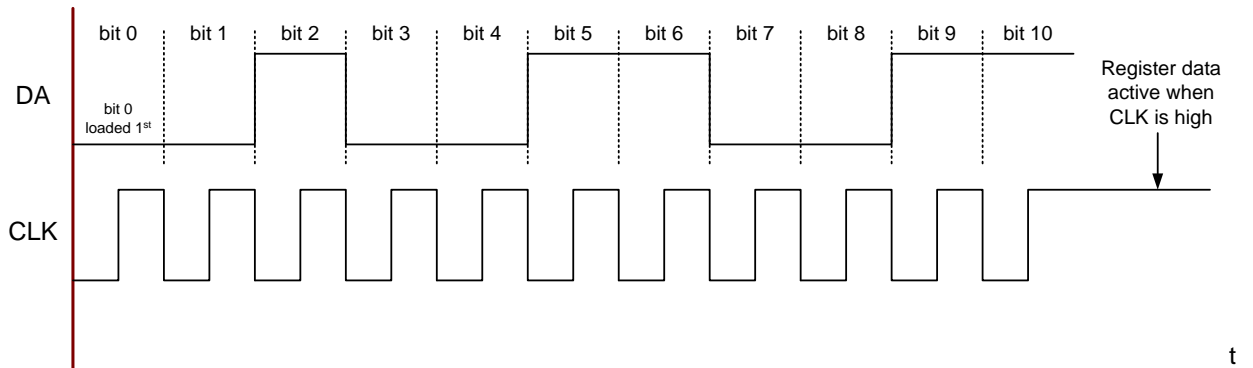


Figure 7 - Shift register programming

WRITING DATA TO THE EEPROM

Once the desired capacitance value has been determined, the digital control word can be written or re-written into the EEPROM. By storing the control word in the EEPROM, the customer is prevented from making adjustments from the factory set programming data. This is accomplished within the AZT71 with internal pull-downs on the DA, PV, and CLK pins. The detailed sequence for writing data to the EEPROM within the AZT71 is described in Table 5. Note that with EEPROM, capacitors are selected when bits are active LOW.

Table 5 – Data writing sequence for EEPROM

Step	Action
1	Determine the desired capacitor control word with the operational power supply voltage and desired oscillator conditions
2	Set the V _{DD} supply voltage to +5.0V
3	If EEPROM is not already erased, erase EEPROM (see ERASING THE EEPROM)
4	Read the current state of the EEPROM bits (see READING BACK FROM THE EEPROM)
5	Compare the desired control word to the stored EEPROM control word. Count the number of differences so as to prevent double/redundant writing
6	One bit at a time, load the first desired control word bit (bit selection for EEPROM is active LOW)
7	Set the PV pin to +6V (≥5.6V, ≤6.1V) with the pulse and idle shown in timing diagram (Figure 10)
8	Progress through all necessary control word bits by repeating steps 5 & 6 until all bits are set to the desired control word.
9	Verify the correct EEPROM contents by reading back the individual bits

For an example of writing bits into the EEPROM, suppose the desired capacitance is 7.23pF. The control word becomes ‘00000010100’ (Figure 8). Also suppose the EEPROM bits have been erased and therefore logic high (The AZT71 is initially shipped in this condition). Since bit0 is the first bit to be loaded, the bit sequence becomes 0-0-1-0-1-0-0-0-0-0-0. However, as described before, selecting bits for the EEPROM are active LOW, which will invert the logical values in the sequence to 1-1-0-1-0-1-1-1-1-1-1 (Figure 9). Note the differences between the EEPROM bits and the converted control word. Since there are 2 differences, two write cycles are required as only 1 bit should be written at a time. Figure 10 shows the timing for bit2 while Figure 11 shows the timing for bit4.

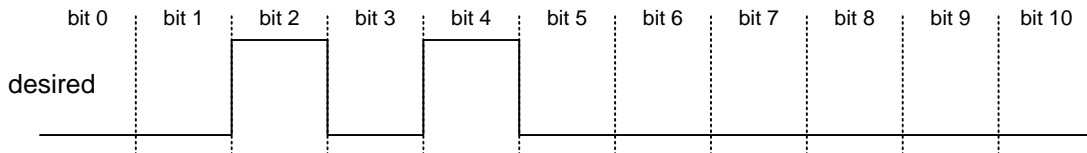


Figure 8 – Desired control word

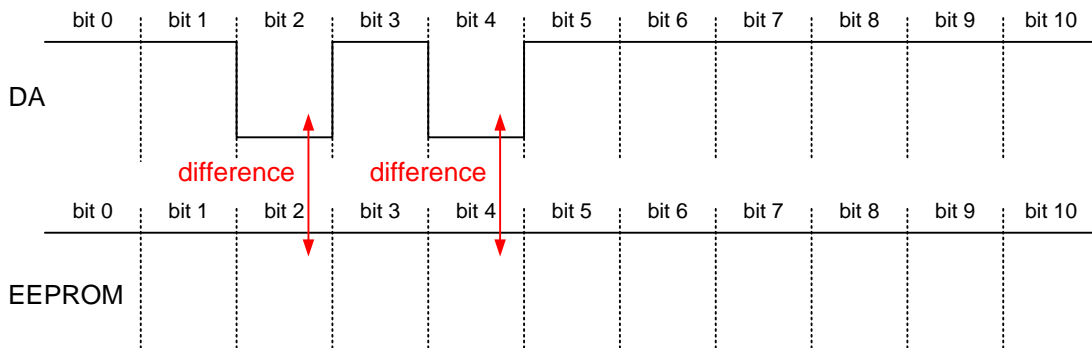


Figure 9 – Converted control word and differences from known EEPROM states

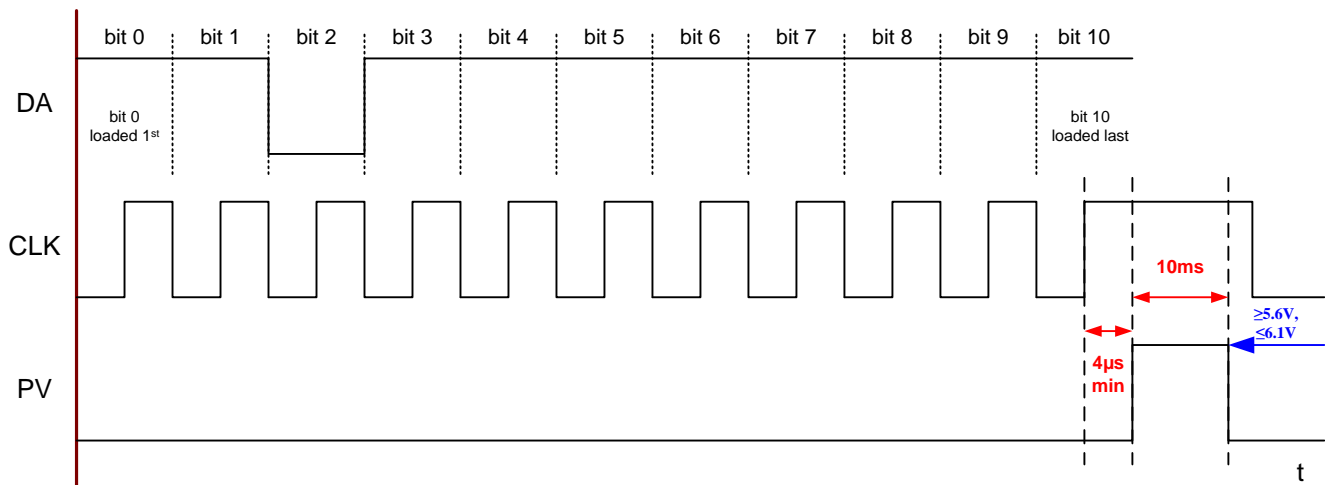


Figure 10 – First programming cycle to program bit2 into the EEPROM

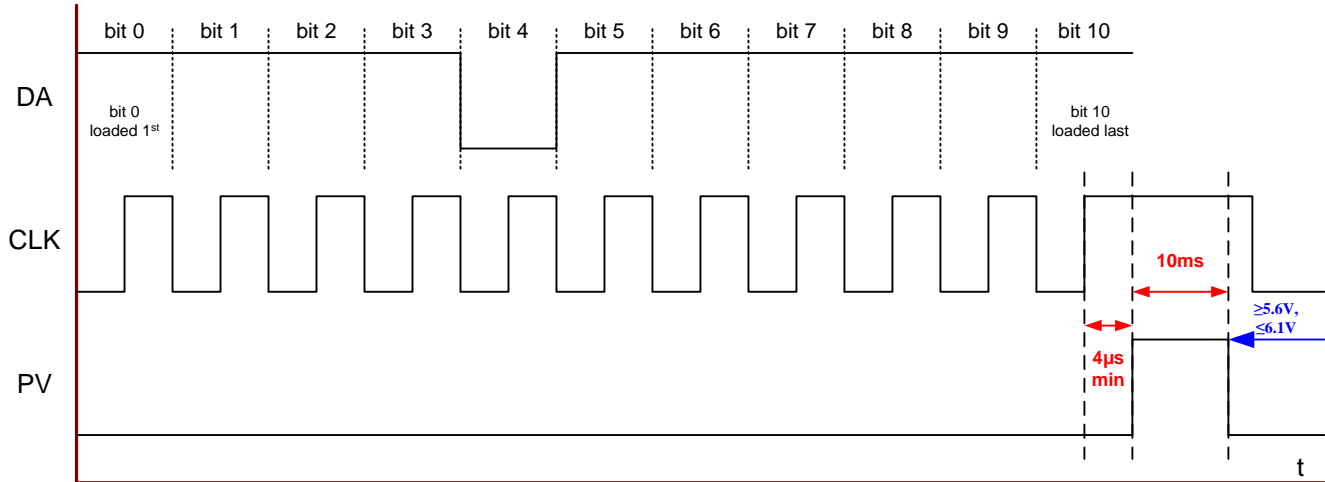


Figure 11 – Second programming cycle to program bit4 into the EEPROM

READING BACK FROM THE EEPROM

During programming, the PV pin is used to program the necessary control bits into the EEPROM. However, it is also used to read the bits currently programmed into the EEPROM. When the PV pin is not used during programming, the AZT71 provides a weak pull-up and pull-down on the pin. This allows the EEPROM data to be shifted out to the PV pin and read after the CLK sequence is complete and when the DA & CLK pins are high (Figure 12). Each EEPROM bit is selected by setting the DA signal low (EEPROM selection is active low) during the CLK sequence. With an external 68kΩ resistor pull-up to V_{DD} on the PV pin, a low EEPROM bit produces $\leq 0.4 \cdot V_{DD}$ level while a high EEPROM bit produces a $\geq 0.6 \cdot V_{DD}$ level.

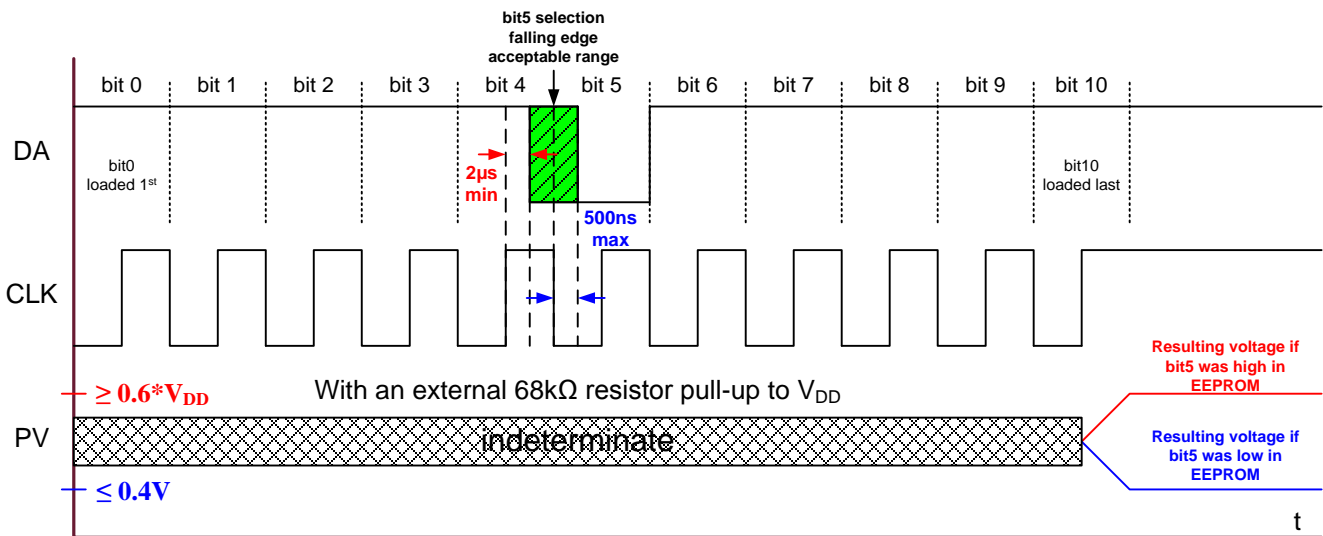


Figure 12 – Timing diagram to read bits from EEPROM

ERASING THE EEPROM

The EEPROM can be erased by initiating a programming cycle with all DA bits set high, including bit9 and bit10. After the programming cycle, all the EEPROM bits are set low (logical high) except for the check bit (bit0), which remains high.

Table 6 – Erase sequence for EEPROM

Step	Action
1	Set the V_{DD} supply voltage to +5.0V
2	Load the programming word bits all high.
3	Set the PV pin to +6V ($\geq 5.6V$, $\leq 6.1V$) with the pulse and idle shown in timing diagram (Figure 13)
4	Verify the correct EEPROM contents by reading back the individual bits

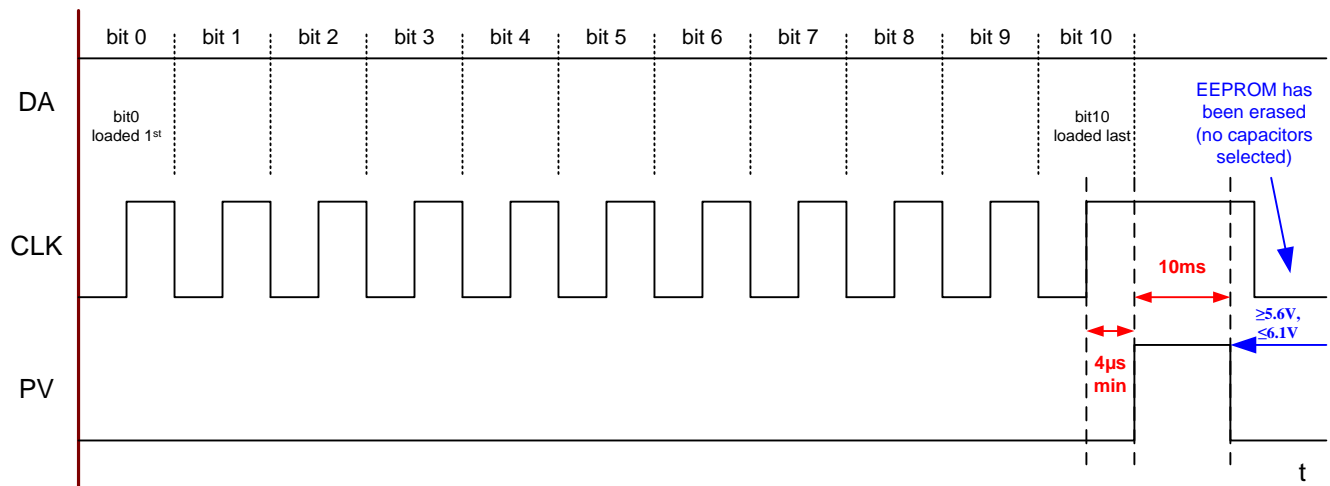


Figure 13 – Programming Sequence for erasing the EEPROM

PROGRAMMING VOLTAGE LIMIT CIRCUIT

Some existing programming circuits use a current source connected to a 6.5 – 8.0 V supply. That circuit produces an excessive voltage on the PV pin, which can damage the AZT71. A simple modification eliminates the issue and maintains full programming compatibility with existing programming methods. A 5.6 V, ½ watt Zener, 1N5232B or equivalent, placed between the PV pin and ground will limit the voltage while still allowing the programming circuit to generate the current required for programming fuse link type parts.

PERFORMANCE DATA**Table 7 – Absolute Maximum Ratings**

Parameter	Description	Conditions	Min	Typ	Max	Unit
V _{DD}	Power Supply	Supply voltages between 4.0V-4.5V may not allow for reliable operation	2.375		3.63	V
			4.5		5.5	
V _{absolute}	Power Supply		0		6.5	V
V _I ¹	Input Voltage		-0.5		V _{DD} + 0.5	V
T _A	Operating Temperature Range		-40		105	°C
T _{STG}	Storage Temperature Range		-65		150	°C
ESD _{HBM}	Human Body Model		2000 ²			V
ESD _{MM}	Machine Model		100			V
ESD _{CDM}	Charged Device Model		1000			V
T _{prog}	Programming Temperature	PV pulse of 10ms			105	°C

¹ PV Pin can exceed V_{DD} by 1.2V during the programming interval² Excludes PV Pin**Table 8 – DC Characteristics****DC Characteristics (V_{DD} = 2.375V to 5.5V unless otherwise specified, T_A = -40 to 125 °C)**

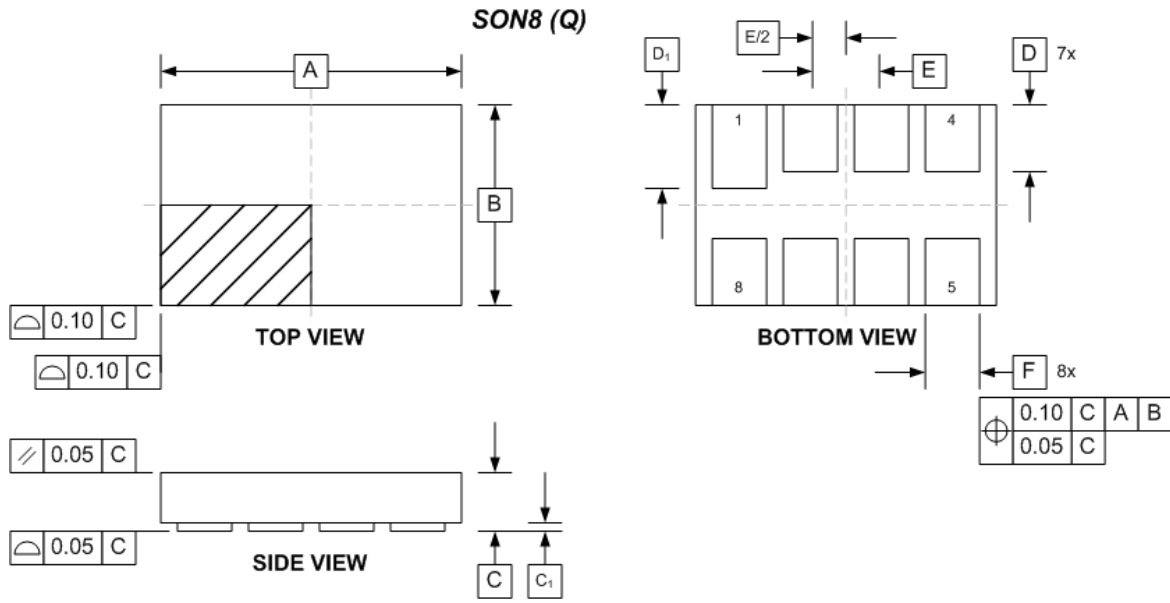
Symbol	Characteristic	Conditions	Min	Typ	Max	Unit
C _{PV}	Capacitance variation across process		-15		+15	%
C _{VV}	Capacitance variation across output voltage	Voltage variation at X ₁ pin, 100MHz			±150	ppm/V
C _{TV}	Capacitance variation across temperature	100MHz - Zero Code		325		ppm/°C
		100MHz - Mid Code ¹		40		
		100MHz - Full Scale		130		
V _{IH}	Input HIGH Voltage	DA, CLK	0.8 * V _{DD}			V
V _{IL}	Input LOW Voltage	DA, CLK	0.2 * V _{DD}			V
R _{PD,DA}	Pull-down Resistor	DA		55k		Ω
R _{PD,CLK}	Pull-down Resistor	CLK		75k		Ω
R _{PD,PV}	Pull-down Resistor	PV		170k		Ω
V _{OH}	Output High Voltage	PV Pin when reading EEPROM bits 68kΩ pull-up resistor to V _{DD}		0.6 * V _{DD}		V
V _{OL}	Output Low Voltage			0.4 * V _{DD}		V
V _{PP}	Programming Voltage (V _{DD} =5.0V)	PV pin when programming EEPROM	5.6	6.0	6.1	V
I _{DD}	Power Supply Current	Normal Operation, V _{DD} < 3.63V		10.0	35	μA
		Normal Operation, V _{DD} > 3.63V		20.0	70	
I _{DDPROG}	Power Supply Current	Programming Mode			250	μA
t _{MEM}	EEPROM Data Retention			20		yrs
C _{yprog}	Programming Cycle		10			k

¹ Bit4, Bit7 High

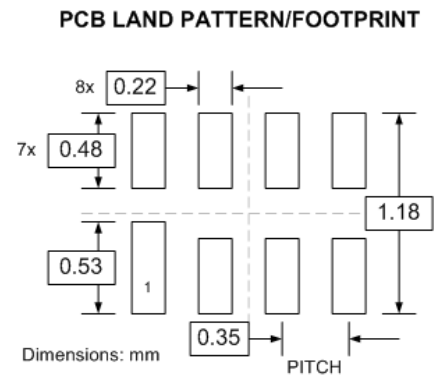
Table 9 – AC Characteristics

AC Characteristics ($V_{DD} = 2.375V$ to $5.5V$ unless otherwise specified, $T_A = -40$ to 125 °C)						
Symbol	Characteristic	Conditions	Min	Typ	Max	Unit
C_F	Fixed Capacitance			6.6		pF
C_{hi}	Step Size			6.4		pF
	Max Value			19.2		pF
C_{mid}	Step Size			1.4		pF
	Max Value			9.8		pF
C_{lo}	Step Size			0.063		pF
	Max Value			1.953		pF
CLK	Max CLK rate	50% duty cycle			100	kHz
T_{prog}	Programming Time ($V_{DD}=5.0V$, $PV=6.0V$)			10.0		ms
Q	Q Value	20MHz - Full Scale	200	320		
		20MHz - Mid Scale	100	200		
		100MHz - Full Scale	50	80		
		100MHz - Mid Scale	50	70		
		200MHz - Full Scale	25	40		
		200MHz - Mid Scale	35	50		
		800MHz - Full Scale	8	12		
		800MHz - Mid Scale	10	15		

PACKAGE DIAGRAM
 SON8 (1.5x1.0x0.4mm)
 Green/RoHS compliant/Pb-Free
 MSL=1

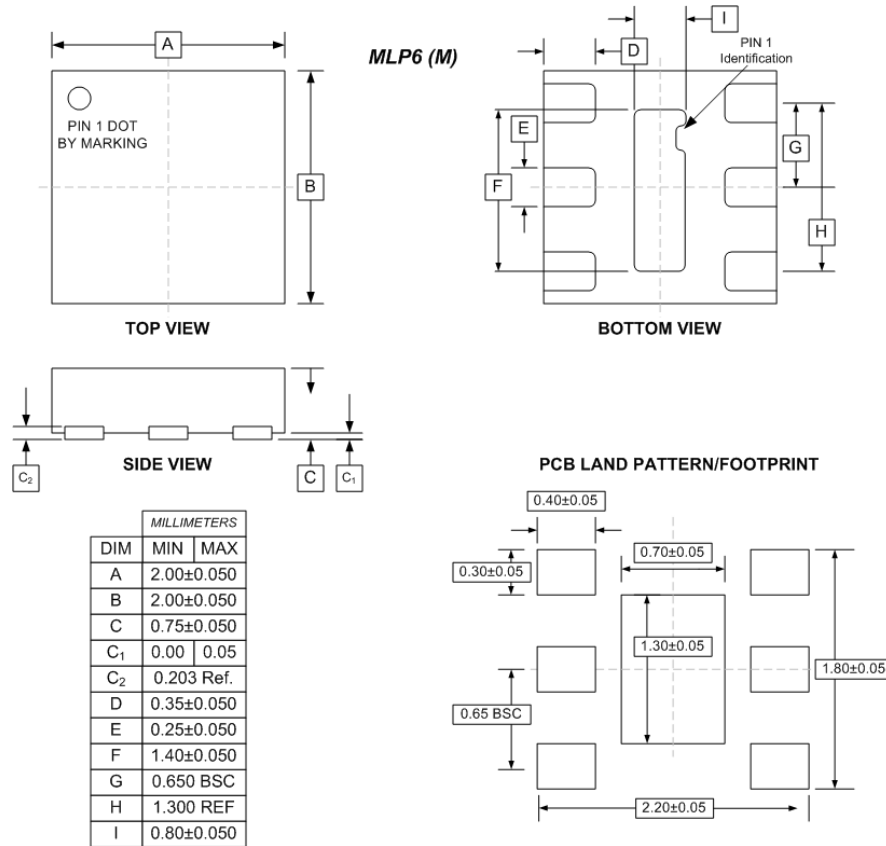


MILLIMETERS		
DIM	MIN	MAX
A	1.50 BSC	
B	1.00 BSC	
C	---	0.40
C ₁	0.00	0.05
D	0.25	0.35
D ₁	0.30	0.40
E	0.35 BSC	
F	0.15	0.25



PACKAGE DIAGRAM

MLP6 (2.0mm x 2.0mm)
 Green/RoHS compliant/Pb-Free
 MSL=1



Arizona Microtek, Inc. reserves the right to change circuitry and specifications at any time without prior notice. Arizona Microtek, Inc. makes no warranty, representation or guarantee regarding the suitability of its products for any particular purpose, nor does Arizona Microtek, Inc. assume any liability arising out of the application or use of any product or circuit and specifically disclaims any and all liability, including without limitation special, consequential or incidental damages. Arizona Microtek, Inc. does not convey any license rights nor the rights of others. Arizona Microtek, Inc. products are not designed, intended or authorized for use as components in systems intended to support or sustain life, or for any other application in which the failure of the Arizona Microtek, Inc. product could create a situation where personal injury or death may occur. Should Buyer purchase or use Arizona Microtek, Inc. products for any such unintended or unauthorized application, Buyer shall indemnify and hold Arizona Microtek, Inc. and its officers, employees, subsidiaries, affiliates, and distributors harmless against all claims, costs, damages, and expenses, and reasonable attorney fees arising out of, directly or indirectly, any claim of personal injury or death associated with such unintended or unauthorized use, even if such claim alleges that Arizona Microtek, Inc. was negligent regarding the design or manufacture of the part.